

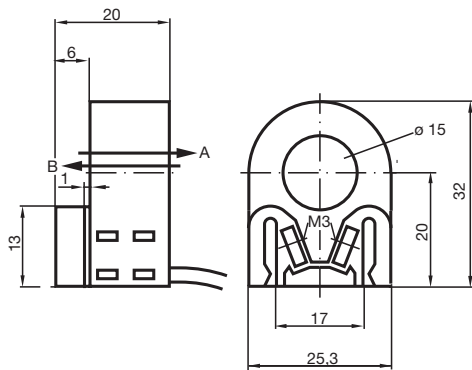
Inductive ring sensor

RB15-14-E2-BI-Y97927

- 15 mm inside diameter
- Basic series
- Bistable
- Direction detection



Dimensions



Technical Data

| General specifications | | |
|-----------------------------|-------|----------------------------|
| Switching function | | Normally open (NO) |
| Output type | | PNP |
| Output polarity | | DC |
| Inside diameter | | 15 mm |
| Measuring cone | | 6 mm |
| Material | | 1.4401 |
| Passage speed | v | ≤ 10 m/s |
| Output type | | 3-wire |
| Nominal ratings | | |
| Operating voltage | U_B | 10 ... 30 V |
| Reverse polarity protection | | reverse polarity protected |
| Short-circuit protection | | pulsing |
| Output voltage | | |
| Traverse A | | 1 V |
| Traverse B | | $U_B - 3 V$ |
| Power ON | | 1 V |
| Voltage drop | U_d | ≤ 1.5 V |

Release date: 2022-06-21 Date of issue: 2022-06-21 Filename: 097927_eng.pdf

Refer to "General Notes Relating to Pepperl+Fuchs Product Information".

Pepperl+Fuchs Group
www.pepperl-fuchs.com

USA: +1 330 486 0001
fa-info@us.pepperl-fuchs.com

Germany: +49 621 776 1111
fa-info@de.pepperl-fuchs.com

Singapore: +65 6779 9091
fa-info@sg.pepperl-fuchs.com

PEPPERL+FUCHS

Technical Data

| | | |
|---|-------|---|
| Operating current | I_L | 0 ... 100 mA |
| No-load supply current | I_0 | ≤ 10 mA |
| Functional safety related parameters | | |
| MTTF _d | | 1449 a |
| Mission Time (T _M) | | 20 a |
| Diagnostic Coverage (DC) | | 0 % |
| Compliance with standards and directives | | |
| Standard conformity | | |
| Standards | | EN 60947-5-2:2007 IEC 60947-5-2:2007 |
| Approvals and certificates | | |
| UL approval | | cULus Listed, General Purpose |
| CSA approval | | cCSAus Listed, General Purpose |
| Ambient conditions | | |
| Ambient temperature | | -25 ... 70 °C (-13 ... 158 °F) |
| Mechanical specifications | | |
| Connection type | | cable PUR , 2 m |
| Core cross section | | 0.14 mm ² |
| Cable diameter | | 3 mm |
| Housing material | | PBT |
| Degree of protection | | IP67 |

Connection

